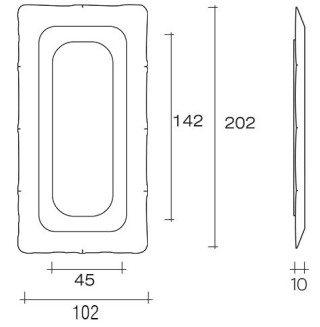




## Titan

Free-standing or hanging mirror in 6 mm high temperature melted glass, back-silvered. Flat mirror 4 mm-thick, painted metal rear frame. Horizontal or vertical hanging.



dimensions L, W, H (cm)	L	P/W	H	net weight (kg)	gross weight (kg)	package volume (m <sup>3</sup> )
Wall mirror.	202	10	102	45	70	0.54

(°) Items provided with removable feet for free standing version.

### CENTRAL MIRROR GLASS FINISH

### THICKNESS

Silver glass	4 mm
Smoked glass	4 mm
Bronze glass	4 mm

### CURVED GLASS FINISH

### THICKNESS

Silver glass	6 mm
Smoked glass	6 mm
Bronze glass	6 mm

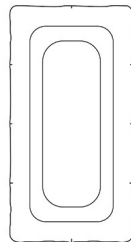
### CURVED GLASS+CENTRAL MIRROR GLASS FINISH

### THICKNESS

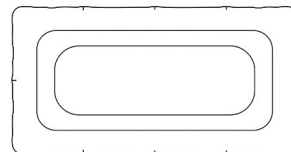
Silver glass	4/6 mm
Smoked glass	4/6 mm
Bronze glass	4/6 mm

### POSSIBLE POSITIONS :

.1



.2



- It is recommended to clean the mirrors with a microfiber cloth
- safe bathroom feature available at additional cost
- Warranty 6 month guarantee 3 years